
***Intermot Hydraulic Motors
IAM•HD Series***

H3 Models

IAM•HD 400 – 450 – 500 H3

INDEX

TECHNICAL DATA	Pag. 4
IAM•HD 400 – 450 – 500 H3	Pag. 5
ORDERING INSTRUCTIONS	Pag. 6

IAM•HD H3

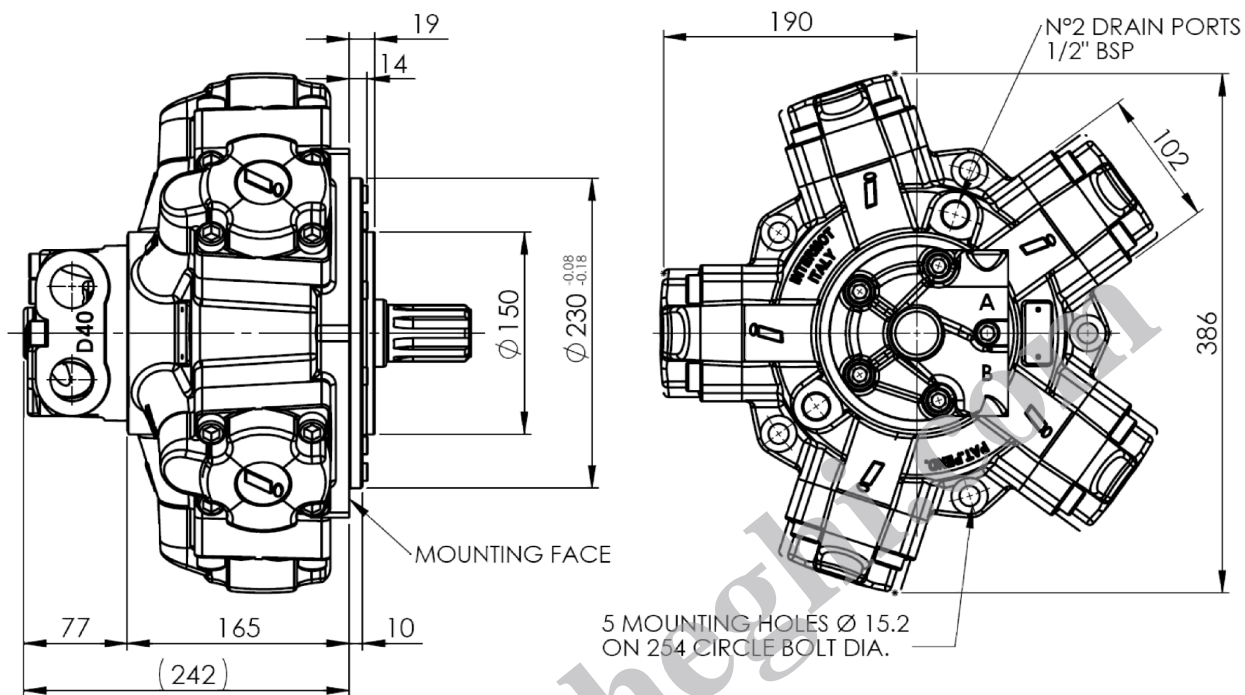
Technical data

MODEL		N° of pistons	Displacement	Specific Torque	Pressure			Speed		Max Power	Dry Mass	Max case pressure	Max back pressure	Temperature range
					Max Cont.	Max Int.	Peak	Max Cont.	Peak					
			cm ³ /rev	Nm/bar	bar			rpm		kW	kg	bar	bar	°C
IAM•HD H3	400	5	397	6.3	270	320	350	750	860	120	68	6	70	-30 ÷ +70
	450		452	7.2	270	320	350	750	760	120				
	500		491	7.8	270	320	350	750	690	120				

IAM•HD H3

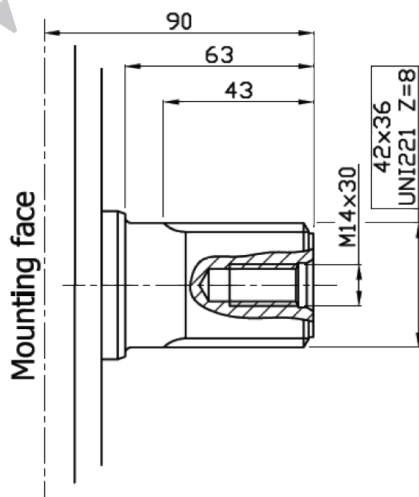
Dimensional drawings

IAM•HD 400 – 450 – 500 H3



SHAFTS

A0: Standard splined shaft



IAM•HD H3

Ordering instructions

IAM•HD	---	H3	A_	D__	SB_
Model					
Displacement					
400 cc/rev					
450 cc/rev					
500 cc/rev					
Housing					
A0 – Standard splined shaft			Shaft		
				Distributor	
D40 – 1" BSP					
D47 – SAE 1" 3000 psi flange					
					Splined Billet
SB3 - 36 UNI 221					

EXAMPLE: IAM•HD 500 H3 A0 D40